

Star Cedar Sheds



SELECT PLUS CEDAR SHED

6'w X 6'd

NOTE

Local building practices may require you to purchase a permit to construct this storage shed. Star Lumber and its representatives are not responsible for any costs associated with the search of, or compliance to any codes or covenants in your local area.

Cedar Storage Shed

Star Cedar Sheds

BEFORE YOU BEGIN

- Check with your local building authority before building.
- Read instructions thoroughly before you begin.
- If a part is missing, circle the part in question and call.
- Lumber is graded from one side, use most attractive face to the outside.
- Assistance is necessary to handle, fit, and secure some components.
- Keep 90° corners and 90° perpendiculars throughout the assembly to ensure all components fit together.
- Before starting on your foundation, make sure you are building the correct size foundation for your building.

APPLICATION OF ALTERNATIVE ROOFING PRODUCTS.

Your Star Cedar Shed kit comes with high quality western red cedar shingle panels to be used in the roofing process. Occasionally, customers are required to use alternative roofing products. Should this be necessary, you will need to purchase additional materials as noted in the chart below. These additional materials will provide a solid roof deck, to which nearly any alternative roofing can be applied. Once you have the solid roof deck in place, please follow the application instructions provided with your alternative roofing product of choice.

Shed Size	Board Size	Quantity	Board Size	Quantity
10' X 16'	1" X 4" X 120"	16	1" X 4" X 92"	16
10' X 12'	1" X 4" X 96"	16	1" X 4" X 69"	16
8' X 12'	1" X 4" X 96"	12	1" X 4" X 69"	12
10' X 8'	1" X 4" X 116"	16		
8' X 8'	1" X 4" X 117"	12		
8' X 6'	1" X 4" X 94"	12		
6' X 6'	1" X 4" X 94"	12		
6' X 8'	1" X 4" X 117"	12		

Please note: you will likely have to buy standard length pieces and cut them back to the lengths listed above.

Star Cedar Sheds

Mold and Mildew Care and Prevention

Molds might best be defined as a growth of minute fungi, or as any of the fungi that produce such a growth. Mildew is best described as a coating or discoloration, caused by fungi, when the substrate is exposed to moisture, or as any of the fungi that produce such a growth.

While STAR Cedar Sheds does its utmost to eliminate the exposure to moisture of our shed components, incidents in storage, handling, and transfer of products can result in situations where molds or mildew can result. Both are limited to situations where the environment is damp, stagnant, dark, and where airborne spores can find the product.

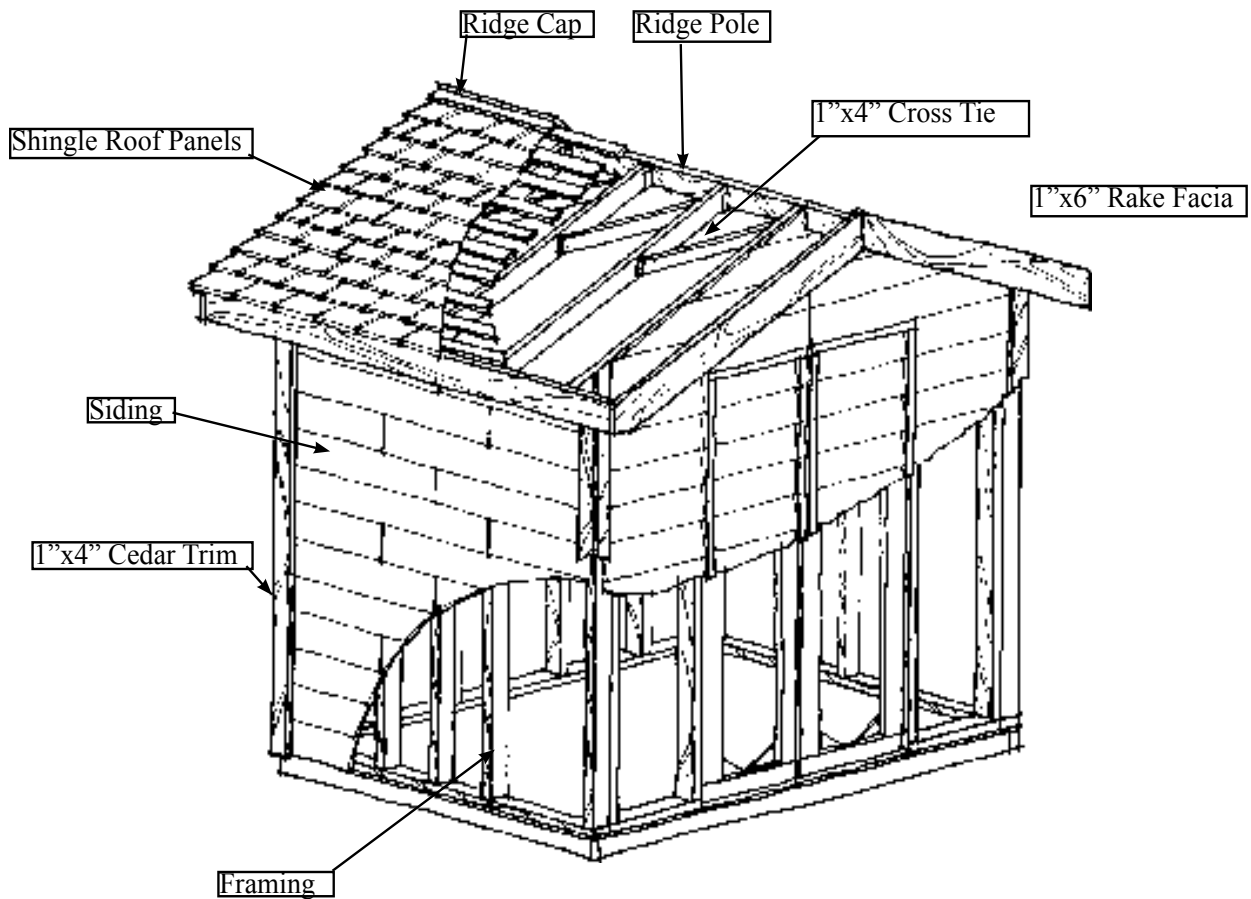
Spores of molds and mildew are as common as dust and are found virtually everywhere, so the occurrence of the other criterion can easily result in incidence of either fungi. Neither is a real cause for concern, especially with Western Red Cedar, one of nature's most durable products, and both can easily be dealt with. In dealing with the problem, however, you also correct the unsightly appearance of these fungi. The condition will likely never reoccur after the shed is assembled, as the dark and stagnant aspect of the growing condition is usually not duplicated. You should take care not to create this type of environment by storing products or growing plants along the surface of the shed, inhibiting light, and airflow, or holding moisture in contact with the shed itself.

To rectify any mold or mildew condition:

1. Simply prepare a solution of 3 quarts (or liters) of water, to 1 quart (or liter) of household bleach, along with ¼ cup (250 ml) of ammonia free liquid dishwasher detergent. Do not use bleach older than six months as it will lose its effectiveness. Also, do not use ammonia based detergent, as it can give off harmful gases, when mixed with bleach.
2. Using a spray canister designed for insecticide application, apply the solution liberally. Allow to penetrate for 15-30 minutes. This allows the bleach time to permeate the fungus and kill all the spores present. The non-foaming liquid dishwasher soap aids in the removal of the mold, mildew, or any dirt associated.
3. If you have access to a power washer, power wash the substrate using the same solution. Use a power washer of approximately 2500 PSI, with no less than a 25° nozzle. Do not spray closer than 12" (300 mm) as this can damage the substrate. If a power washer is not available, a soft brush should be used and the substrate should be fully scrubbed and then rinsed in clear water afterwards.
4. Allow to dry.

By following these directions, the mold or mildew issue should be completely eradicated and you should not have any type of recurrence.

Star Cedar Sheds



Cut away view of a typical shed. 8'x6' Shown.

Star Cedar Sheds

Step #1: FOUNDATION

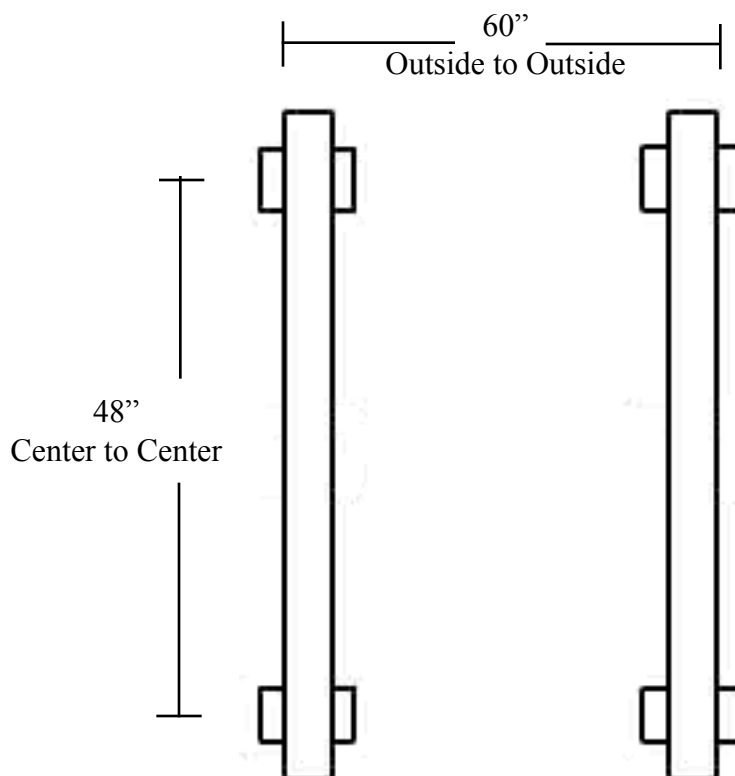
Concrete Slab:

If you intend to use a concrete slab for the foundation of your shed be sure it is at least 72" wide by 72" long and level in all directions.

Any lumber that contacts the concrete foundation directly should be replaced with 2"x4" pressure treated material to reduce the risk of rot.

Pier Block with Treated 4"x4":

Each pier block should be 6" in from the end of your 4"x4" pressure treated boards. Place blocks no more than 48" apart. They do not have to be at the exact corner of the floor. Bury the blocks to the bottom of the bracket. Pressure treated 4"x4" may come in contact with soil. Be sure to check that your foundation is square by measuring from one corner to the opposite corner, then the same thing for the other two corners, if your foundation is square these two measurements will be the same. Finally level your 4"x4" by placing a 2"x4" across them at several points and checking with level.

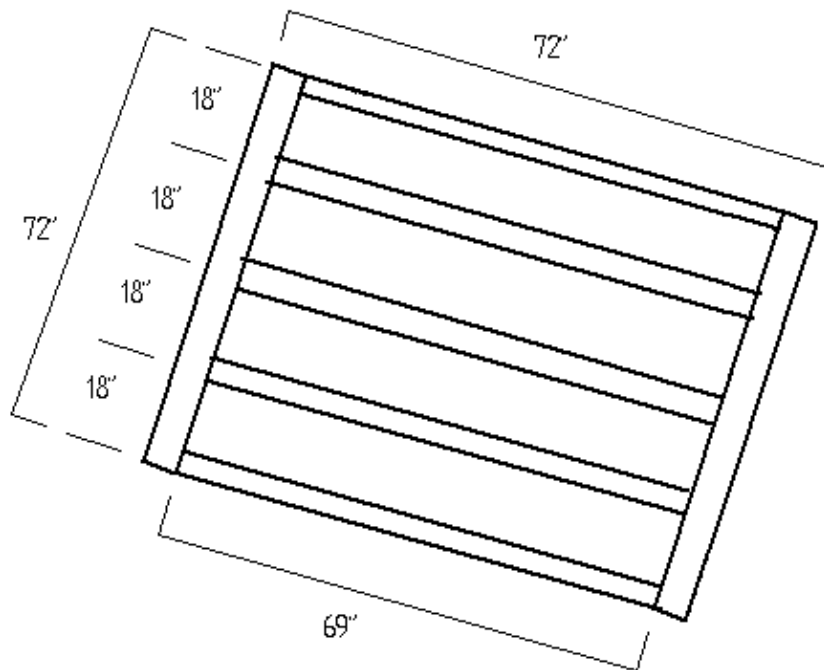


Star Cedar Sheds

Step #2: Floor Framing

Mark the 2"x4" end pieces on the narrow (1 1/2") face with the dimensions shown. Nail the floor frame together using 2 12D nails at each joint. The center of each floor joist should line up with the mark you made on the end piece. Put the completed floor frame on the foundation. Check to ensure the frame is square either by using a framing square in each corner or by measuring from corner to corner.

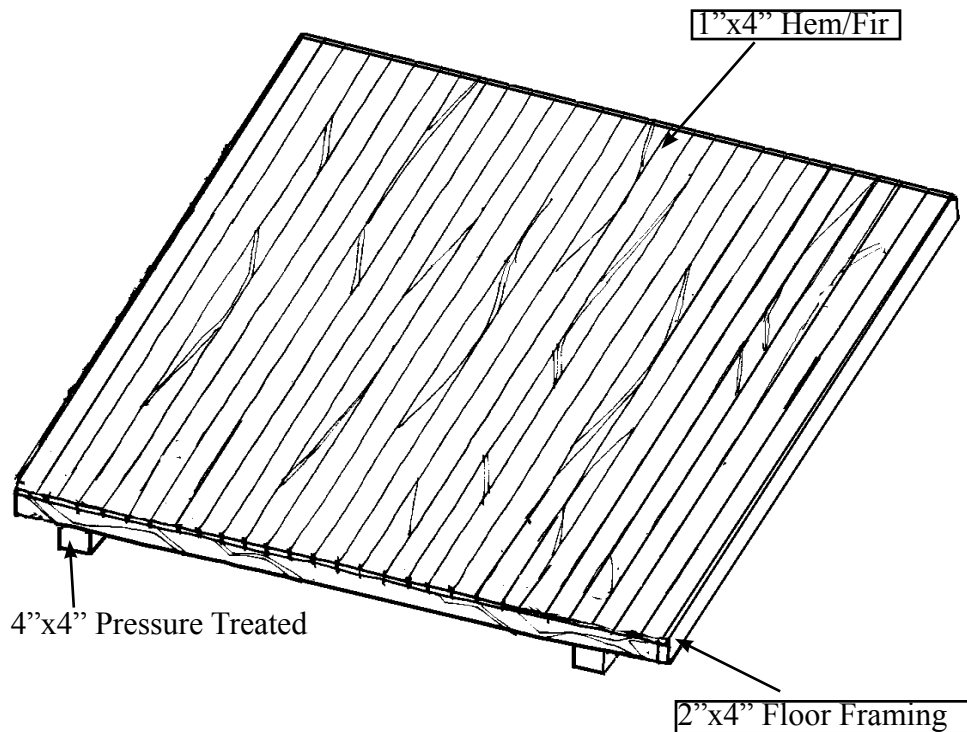
Secure the frame to the foundation using 2 12d nails from the frame to the foundation diagonally.



Star Cedar Sheds

Step #3: FLOOR SHEATHING

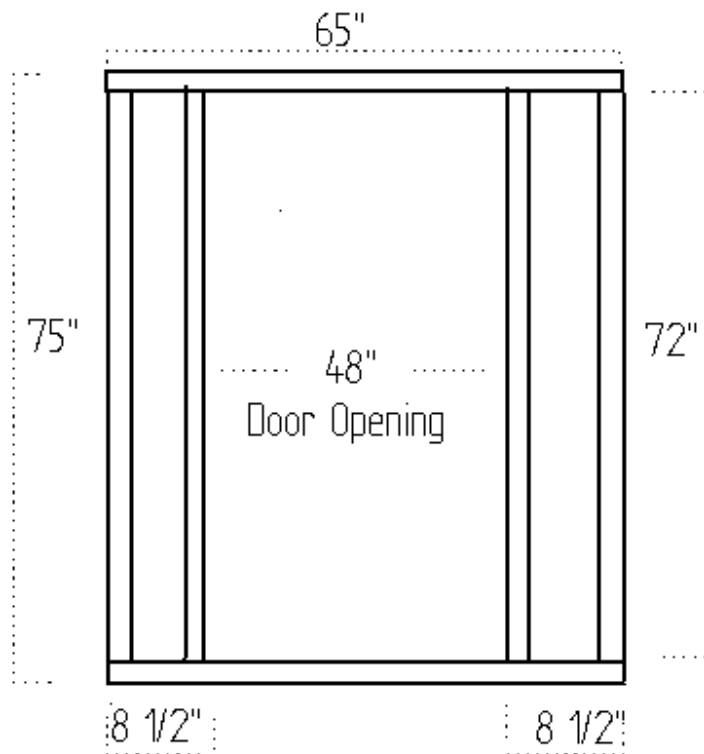
Select best face to show. Your kit came with 1"x4"x72" hem/fir flooring. Nail it down with two 8d nails for each joist. Start at one end then work your way across going in the opposite direction of the floor joists. Gaps between the boards are acceptable but not necessary. You may have to trim the last board if it goes past the frame below. Make sure flooring is hem/fir not cedar.



Star Cedar Sheds

Step # 4 FRAMING

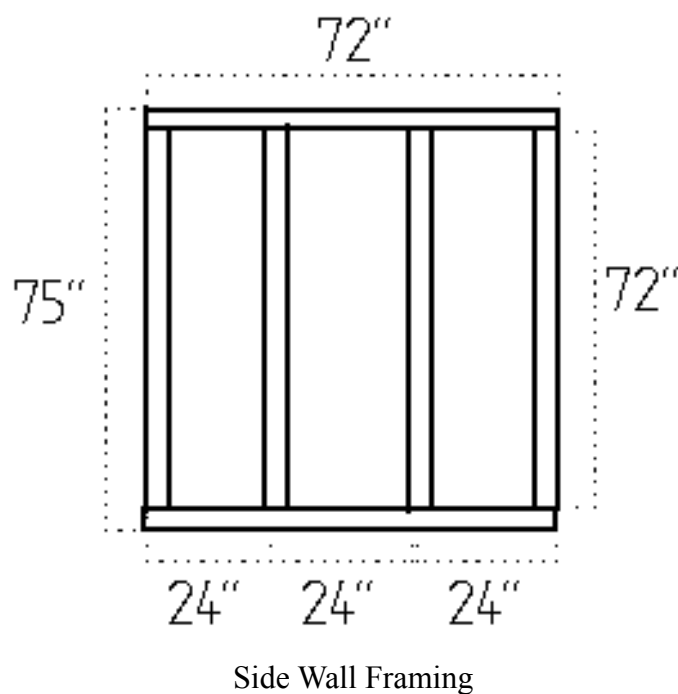
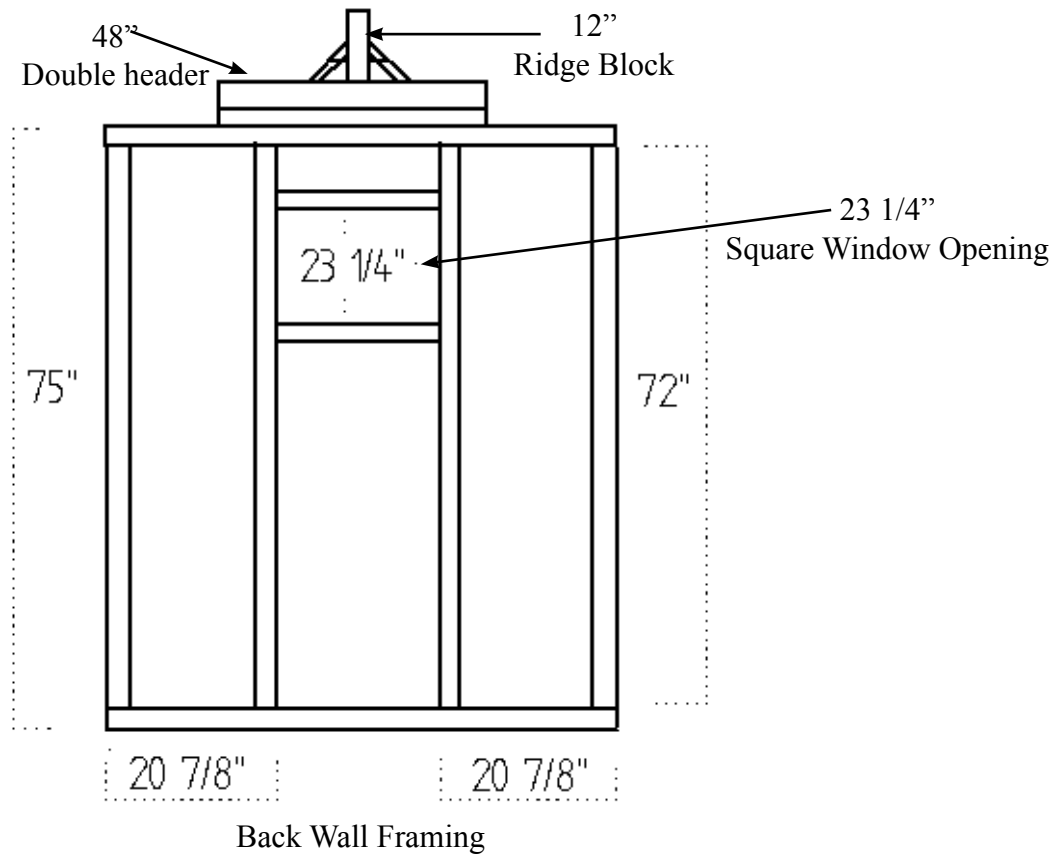
With the top and bottom plates together mark the location of the studs. **Be sure to follow the drawing carefully. If the studs are not in the right spot the siding will not fit.** Nail the plates to the studs with two 12d nails at each joint. Make sure that the center of each stud lines up with the mark you made on the plate. On the front wall, add a 2x4x48" piece centered over the doorway. Attach the 12" ridge block and angle braces to the center of a 2x4x48". Then attach to the top of the back wall. Ensure that the ridge block is in the center of the back wall using the 2^{1/2}" grey screws. Mark back wall for window framing. Top frame spacing is 3" from the top plate to top of window frame. Bottom frame is 23^{1/4}" from bottom of top frame to top of bottom frame. Use 12d nails driven through adjacent stud.



Front Wall Framing

Star Cedar Sheds

Step # 4 FRAMING (Continued)

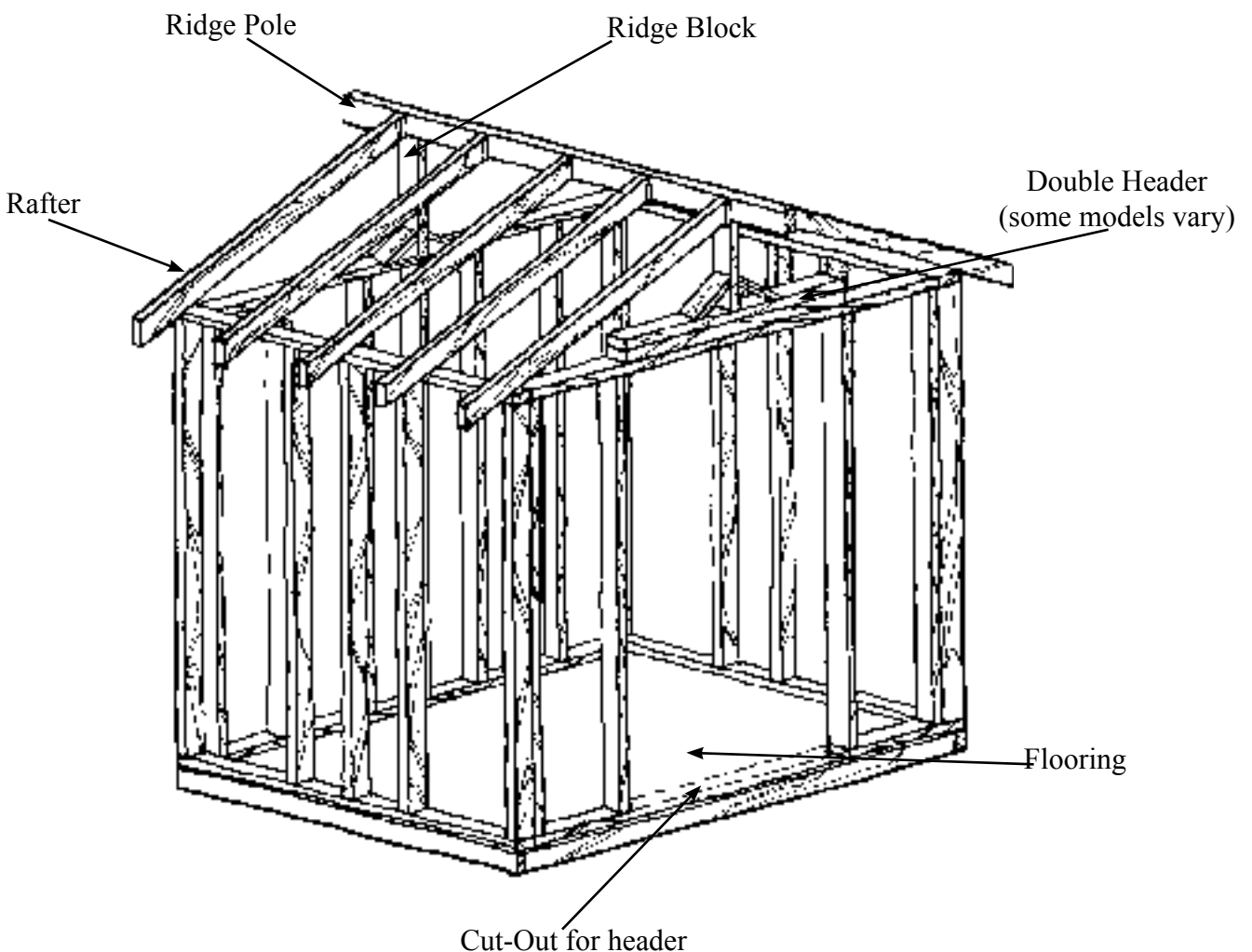


Star Cedar Sheds

Step #5: STANDING THE WALLS

Stand the walls up. Nail them to the floor with one nail every 18" (no nails in the doorway). Add extra nails just outside the doorway. Then nail the walls together at the corners. Make sure that the top plates are lined up before you nail the corner studs together. Once again use a nail every 18".

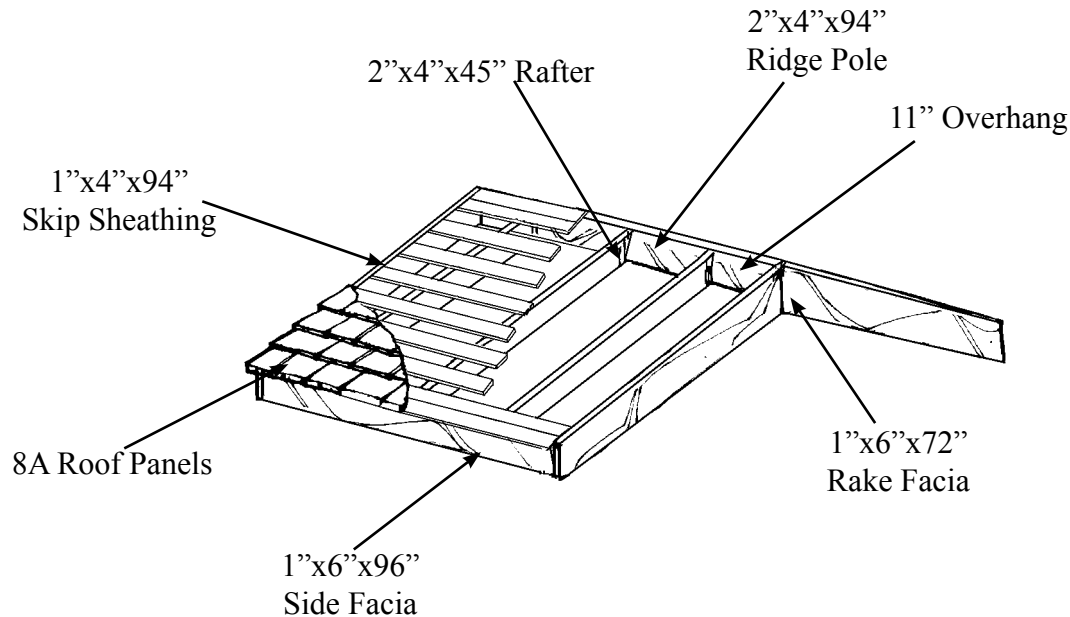
Cut the bottom plate out of the doorway. Make your cuts flush with the stud on each side. Your handsaw will work the best. Be careful to avoid cutting too deeply. Now, nail the 13 1/2" ridge block to the center of this piece of 2"x4". Screw the angle braces to hold ridge block in place using the 2^{1/2}" grey screws found in the parts bag. This new piece is nailed on top of doorway.



Typical Framed Shed, 8x6 Shown.

Star Cedar Sheds

Step #6: ROOF FRAMING



Find the ridge pole and the rafter hangers. The first rafter is located 11" from the end of the ridge pole. The rest of the rafters can be measured 24" on center. Ensure the last rafter is 11" from the end of the ridge pole. Screw the hangers at each mark about 5/8" below the top of the ridge pole, using the 1^{1/4}" screws. Test the first one for fit with a rafter. The rafter should be within 1/8" of top of ridge pole.

Next, toe nail the ridge pole to the top of the ridge blocks. Use 4 nails at each block. You may find it's easier to start your nails before you lift the ridge pole into place.

Lay the rafters in the top hangers and secure with 1^{1/4}" screws. A 12d nail through the top of the rafter into the ridge pole will draw them up tight. On the top plates of the side walls mark off the location for the hurricane anchors. The measurements are the same as for the ridge pole starting from the end rafter. Center hurricane anchors over your marks and secure with 1^{1/4}" screws. End rafters do not use a hurricane anchor.

Ensure that the rafters hang over the outside of the shed an equal amount on each rafter. The end rafters are flush with the outside of the end walls (so that the siding will proceed up the wall without interruption).

The 48" 1x4 cross ties should be nailed to the rafters with five 8d nails at each end. Install them level, with the top corner at the top edge of the rafter. It will help to make the roof more stable if you install the cross ties as you install each pair of rafters. The first and last rafters do not have cross ties.

Star Cedar Sheds

Step #7: WINDOW INSTALLATION

Windows are to be installed prior to applying the siding. Place your window in the framed opening from the outside. Ensure that the drain holes are on the outside and at the bottom of the window. Use 1 1/4" black screws to secure window to framing, two on each side, bottom and top of frame.

Step #8: SHINGLE PANEL SIDING

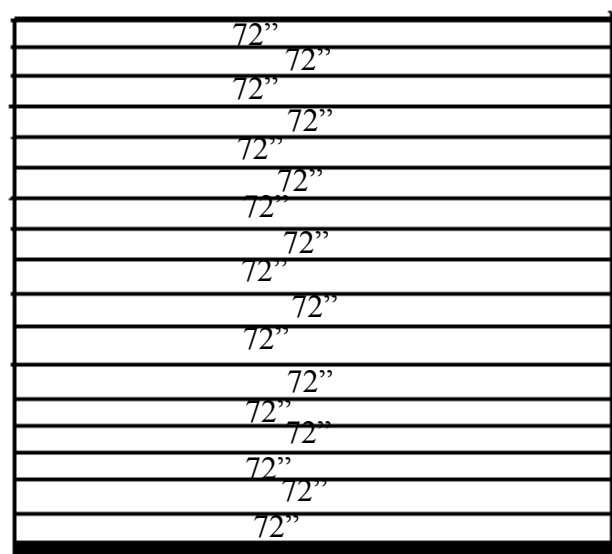
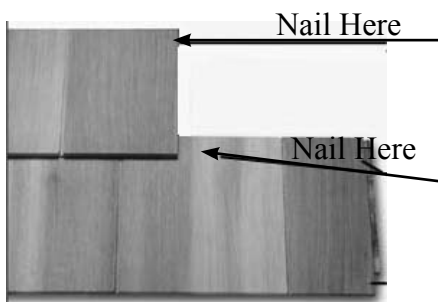
The following three pages will illustrate the proper layout of siding. It is a good idea at this time to sort your siding by size. If you choose to put building paper on your walls it should be applied now.

Start the first course of siding with the plywood on the siding 1" below the top of the floor. Tip: to make sure that you begin level, start several shake nails at 1" below the top of the floor. Then rest the siding on top of the nails before you nail it off. There should be 1 roof nail at each stud.

On the front wall, start at the doorway opening. Due to the thickness in wood varying at times the siding does not always go to the corner. This is acceptable as the corner trim (attached later) will cover any gaps in the corners.

Position nails at the studs. Nail on or just below the nail line which is 3/4" from the top edge of panel. Always put one nail 1/2" from the ends of each panel. Nail each course of panels from one end to the other at each stud. Never nail from both ends toward the middle.

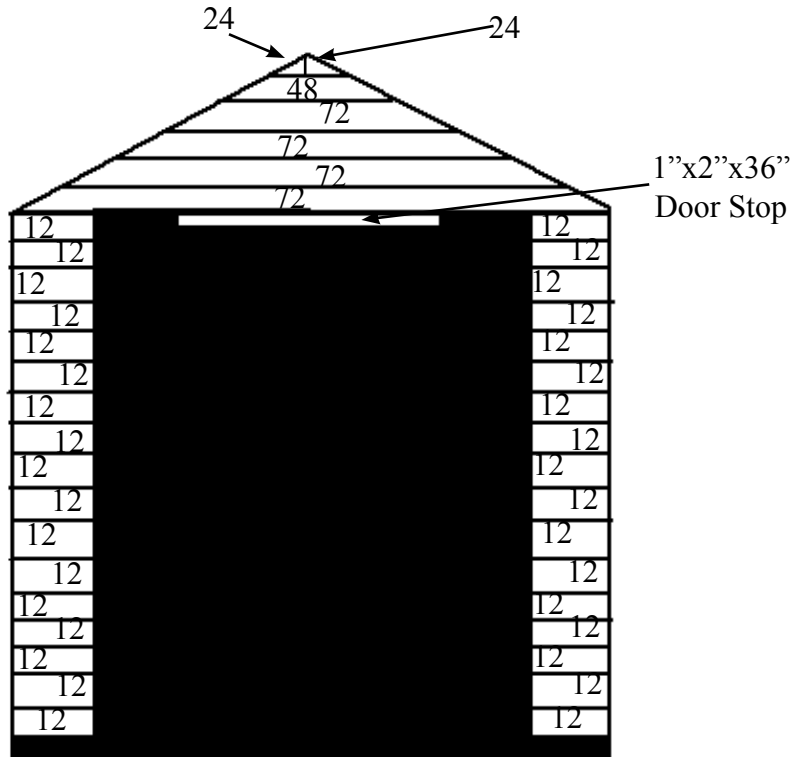
Each course of panels will align with the previous course when laid up. Level should be checked occasionally. The siding at the top of the side walls will need trimming before you nail it in place. Place siding where it will be nailed and mark the back with pencil along the rafter. Cut along the mark with saw. The area around the ridge pole will need a little extra notching to make it fit.



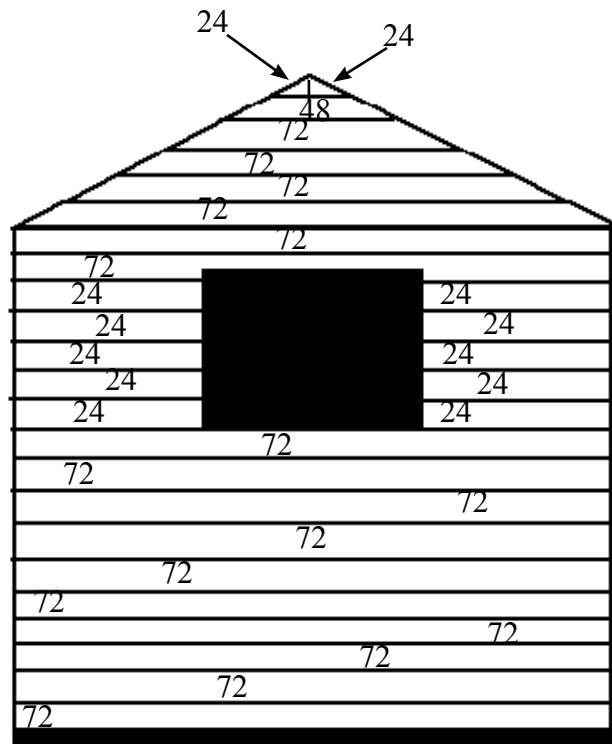
Side Wall Siding

Star Cedar Sheds

Step #8: SHINGLE PANEL SIDING



Front Wall Siding



Back Wall Siding

Star Cedar Sheds

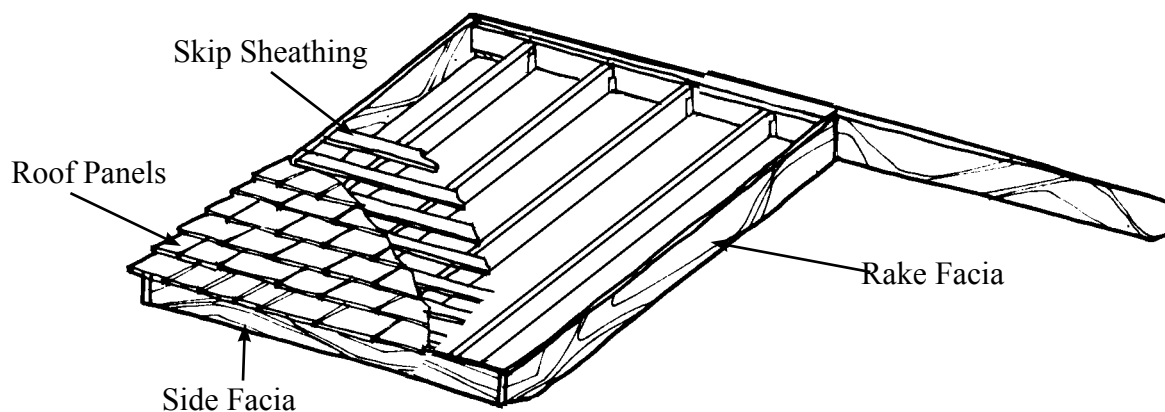
Step #9: ROOFING

Side Facia (1"x6" Cedar)

Install the 1"x6" side facia, rough side out for best appearance. Trim if necessary to the same length as ridge pole. Nail the facia to the ends of the rafters. The top of the facia should be 1" above the top of the rafters. The skip sheathing will line up with the top of the facia. The rough side should face out for the best appearance (See the detail drawing at the bottom).

Rake Facia (1"x6" Cedar)

The rake facia will have to be trimmed to length. The plumb-cuts at each end are 22.5 degrees off of perpendicular. If you don't trust your measuring ability when it comes to the fine art of plumb-cutting, there is another way. Hold the board up in place with the top edge flush with the top of the skip sheathing. Then reach around the back at the ridgepole and run your pencil down the vertical joint. You'll have waste on both ends so don't chop off too much on your first cut. The second cut will be made after you nail it into place. With the rough side out and the top 1" above ridge pole, place the cut end over half of the ridge pole. Nail it into place with two 8d nails.



Star Cedar Sheds

Step #9: ROOFING

Skip Sheathing

Lay all of your 1x4 skip sheathing in a neat stack on the ground with the narrow side up and the ends lined up. Measure in from one end the length of an overhang (11"). Then with your square draw a line across all the boards at once. All boards are now marked with the location of the end rafter. Be sure skip sheathing is hem/fir, **not cedar**.

To ensure the roofing panels fit properly, as you apply your skip sheathing periodically check the roof for square. To do this simply measure from the tip of the rake facia to the tip of the side facia on the opposite ends of the roof, and then again on the other way. If your roof is square these measurements will be the same. If not, simply push one end of the roof by hand until it is, and continue with sheathing.

Start at the side facia nailing the 1"x4" skip sheathing to each rafter with two 8D nails. The end will line up with the rake facia. Do not space the first two skip sheathing and the last two at the peak. The remaining skip sheathing will be spaced 2 1/2" apart. Work your way to the top. If the spacing is different at the top, not to worry. As a final touch, make a level cut at the bottom of the rake facia.

1x4 Skip Sheathing

Spacing 2^{1/2}"



Star Cedar Sheds

Step #9: ROOFING

Felt Paper

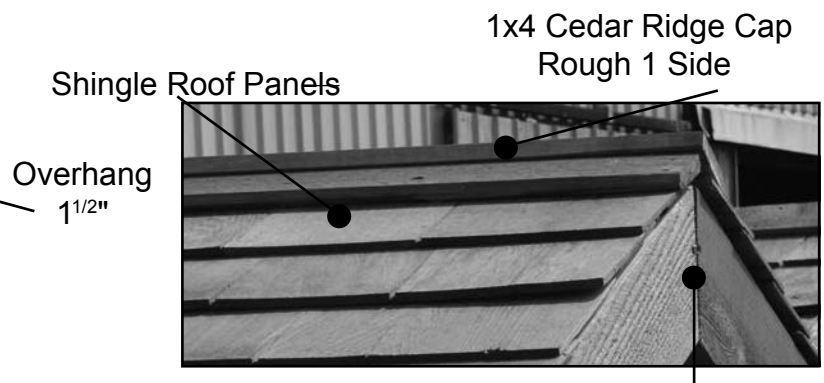
The first step to finishing your roof is to lay the felt paper horizontally across the roof. Start at the bottom and overlap each row a minimum of 3". Staple felt to 1"x4" skip sheathing.

Shingle Roof Panels (If you are using alternate roofing, follow manufacturers directions.)

The roof panels are marked 8A. Lay the first roof panel so that the shingle over hangs the side fascia 1 1/4". Attach with 1 1/4" roofing nails at 1 1/2" to 1 3/4" from the top of the panel. Nail spacing should be every 12". Continue up the roof laying the next panel down. The panel plywood back should butt up to the top edge of the previous panel. Do not nail on the outer edges of the roof panel where there is no plywood backing.

Finish off the ridge with the two 1"x4" cedar ridge cap.

ROOF PANELS



Star Cedar Sheds

Step #10: INSTALLING THE DOORS

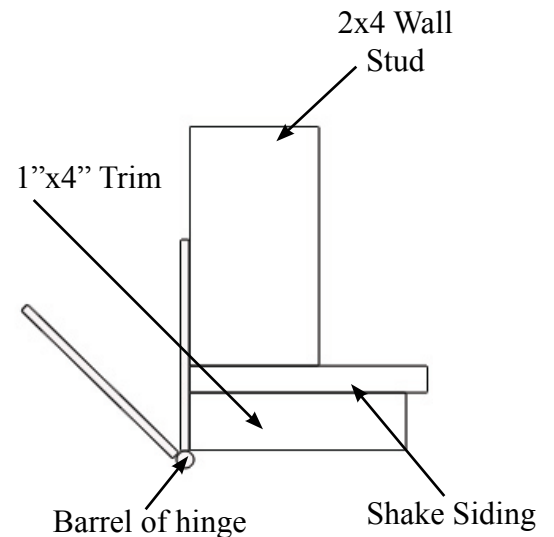
Use 3 1"x4"x72" for door trim. Place one on each side of the door opening and one over the top. The top one should go over the top of both side trim pieces.

You may need some help attaching your doors to the shed. Use a small piece of scrap wood as a shim to create a 1/4" space between the door and the floor. A similar space should be at the top as well. Once the door is level, the barrel of the hinge should be just past the siding. Begin attaching hinge to exposed edge of stud with 1 1/4" screws. Next, screwing the 1"x2"x36" cedar door stop to the top of the doorway in following manner. Swing the doors closed until they are flush with the wall above. Push the stop against the door, and screw it into place using 3 1 1/4" screws. The idea here is to keep the door from swinging so far in that the hinge binds. Install handles and hasp in a convenient location.



Bench (Optional)

1x2x36" Cedar door stop



Star Cedar Sheds

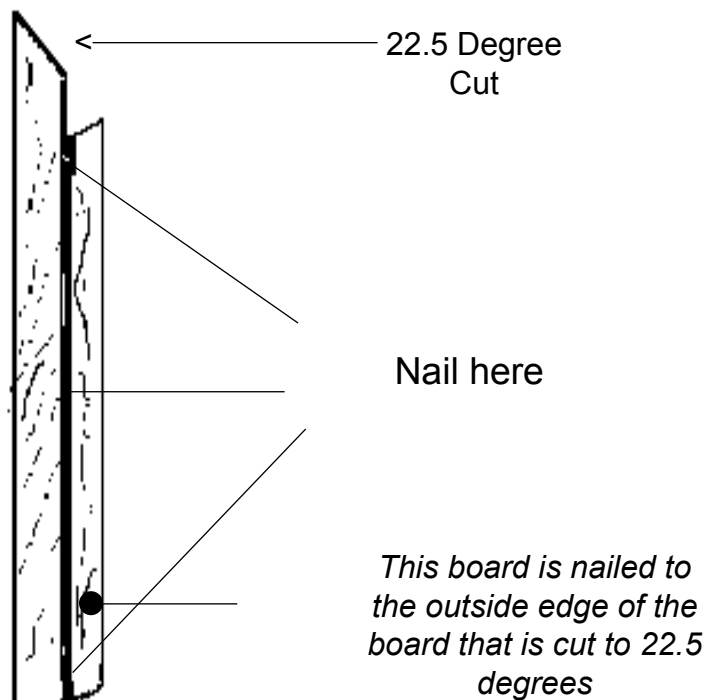
Step #11: FINISHING YOUR SHED

Skirting

Nail 1 x 6 x 72" cedar to the front, back, and both sides below the last row of siding.

Corner Trim

The 1"x4" cedar in your kit is for the corner trim. Cut an angle on one end of a piece to match the slope of the roof. Make sure that the rough side is facing out. Then measure down 4" from the short side and make a mark. Nail a second piece over the first with its' top at the mark. 5D shake nails spaced about a foot apart will do. Fit your prefabricated corner trim over the corner of the shed to test for length. Mark the bottom about an inch below the siding. Then cut it to length. Nail it in place using 5D nails about a foot apart. Now that you've done one, do the rest. But a word of caution: the corners are left and right handed. If you make four left corners, you'll only be able to use two of them. The example below is a right hand corner.



Thank you for choosing a Star Cedar Shed. Our aim is to have your shed building experience be a positive one. If you have any questions or comments please call us toll free at:

1.888.659.1832

HOURS:

8:00 AM - 4:00 PM PT

MONDAY-FRIDAY

OR E-MAIL

CUSTOMERSERVICE@STARCEDARSHEDS.COM